



DIRECT DRIVE TURNTABLE SYSTEM

GRAND CLASS SL-1300G

Introducing the SL-1300G, a state-of-the-art direct-drive turntable from Technics, showcasing true excellence in audio engineering.

New Delta Sigma ($\Delta\Sigma$) Drive Motor Control for Quiet Rotation and Reduced Vibrations

New Twin-Rotor Coreless Direct Drive Motor with Single Stator for Accurate and Stable Rotation

High Rigidity 3-layer Platter Design with Thick Brass Plate for Superb Resonance Resistance

Multi-Stage Silent Power Supply with Noise Canceling Circuit Inherited from SL-1000R for Low Noise Floor

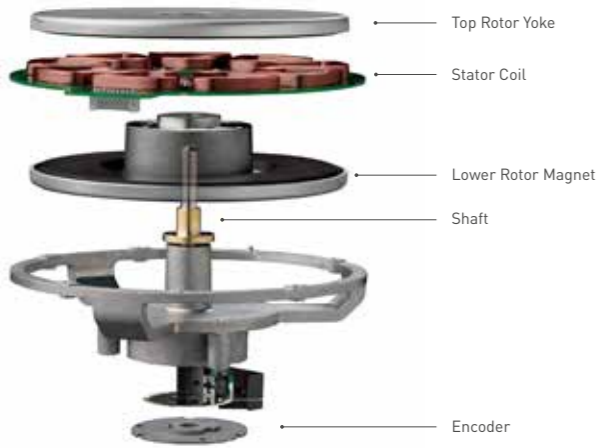
High-Sensitivity Aluminium Tonearm with Height Adjustment Mechanism

Minimalistic, Sleek Design Underlining Superb HiFi Audio Performance

Rediscover Music

Technics

This groundbreaking device features an innovative motor control system based on Technics' proprietary digital signal processing, ensuring unparalleled precision and stability. Born from a unique multidisciplinary engineering collaboration encompassing mechanical, servo, signal processing, and power supply expertise, the SL-1300G sets a new performance benchmark in its class.



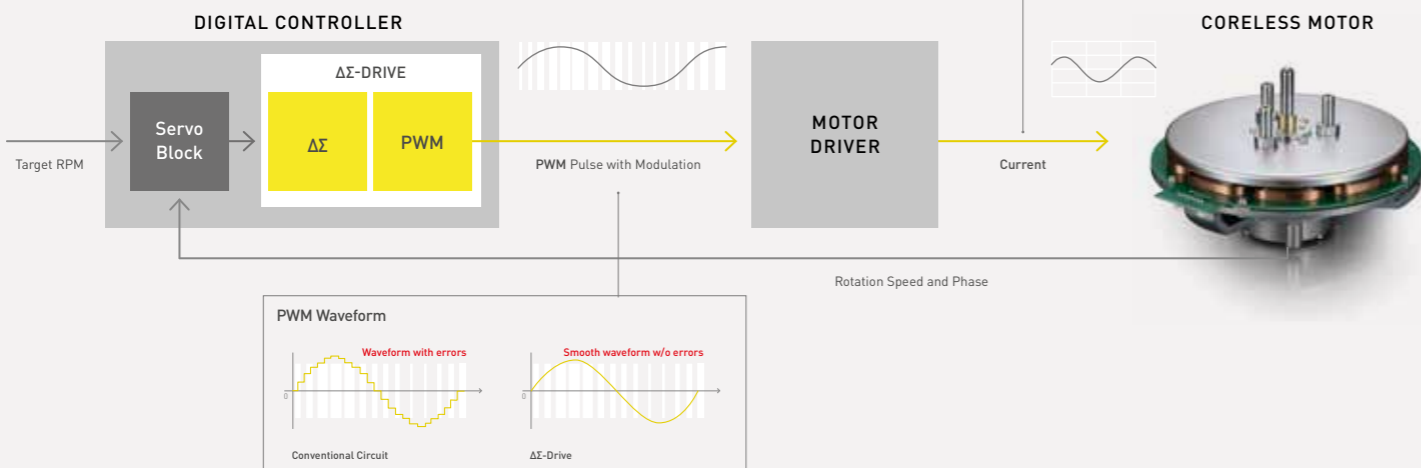
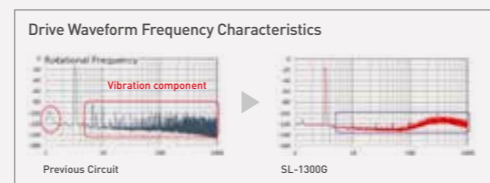
Coreless Direct Drive Motor and High-Accuracy Motor Control

This motor employs a coreless direct drive motor with twin rotor. The removal of the core from the stator eliminated the root cause of cogging. Boasting smooth rotation and powerful torque, this motor reproduces sound accurately and faithfully from the groove on an analogue record.

Enjoy the Ultimate in vinyl playback with robust construction, exquisite sound quality, and exceptional reliability, all hall-marks of Technics commitment to audio perfection.

Delta-Sigma ($\Delta\Sigma$) Drive

The $\Delta\Sigma$ -Drive uses advanced technology to ensure smooth and accurate turntable operation. By converting signals with precision, it minimizes errors and reduces distortion. This technology also helps eliminate tiny vibrations that affect sound quality, which aren't usually detected by standard measurements like wow and flutter. These vibrations can blur the audio, but the $\Delta\Sigma$ -Drive effectively reduces them, resulting in a clearer and more precise sound. This means you get an improved, high-quality listening experience with better spatial clarity and sound image localization.



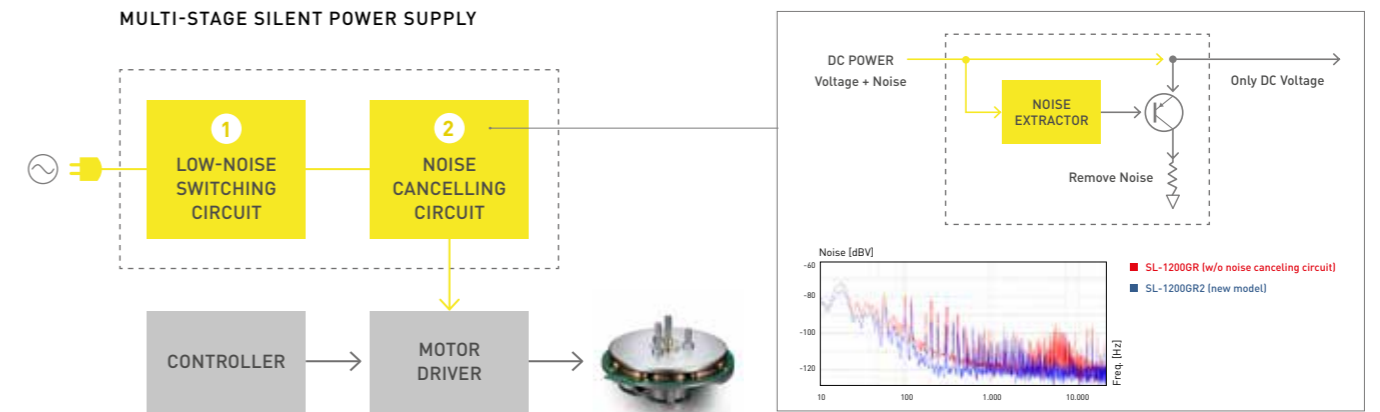
Superb Audio Performance and Iconic Product Design at its Best!



Multi-stage Silent Power Supply

A combination of a low noise power supply and a noise cancelling circuit inherited from Technics SL-1000R reference class turntable achieves even lower noise.

- 1 Low-noise Switching Power Supply:** High-speed and silent switching power supply operating at over 100 kHz
- 2 Noise Cancelling Circuit** (inherited from SL-1000R): Cancelling noise by injecting the reversed-phase current of the noise



Minimalistic Design

Plain, simplistic design and fuzz-free operation make the SL-1300G a joy to use.

3-layered Platter Made of Aluminum Die-cast, Heavy Weight Rubber and 2mm Thick Brass Top Plate for Superb Resonance Resistance.





EAN: 5025232960651

SL-1300GE-S

colour: Silver



EAN: 5025232960668

SL-1300GE-K

colour: Black

Turntable Section

Driver Method	Direct Drive
Motor	Brushless DC motor
Turntable Speeds	33 1/3, 45, 78 rpm
Pitch Adjustment Range	n/a
Starting Torque	3.3 kg*cm
Build-up Characteristics	0.7 seconds from standstill to 33 1/3 rpm
Wow and Flutter	0.025% W.R.M.S.
Rumble	78 dB (IEC 98 A weighted)
Turntable Platter	Aluminum die-cast, brass and rubber, diameter: 332 mm, weight: approx. 3.6 kg (incl. rubber mat)

Tonearm Section

Type	Static Balance
Effective Length / Overhang	230 mm / 15 mm
Tracking Error Angle	Within 2° 32' (at the outer groove of 30 cm (12") record), within 0° 32' (at the inner groove of 30 cm (12") record)
Offset Angle	22°
Arm Height Adjustment Range	0–6 mm
Stylus Pressure Adjustment Range	0–4 g (Direct reading)
Headshell Weight	Approx. 7.6 g
Applicable Cartridge Weight Range	Without auxiliary weight: 5.6–12.0 g, 14.3–20.7 g (incl. headshell), with small auxiliary weight: 10.0–16.4 g, 18.7–25.1 g (incl. headshell), with large auxiliary weight: 14.3–19.8 g, 23.0–28.5 g (incl. headshell)
Cartridge Mounting Dimension	12.7 mm (1/2") interval
Headshell Terminal Lug	1.2 mmφ 4-pin terminal lug

Terminals

Audio Output	Phono (Pin Jack) x1, earth terminal x1
--------------	--

General

Power Supply	AC 220–240V, 50/60 Hz
Power Consumption	10 W (power on), 0.3 W (power off)
Dimensions (W x H x D)	453 x 173 x 372 mm
Weight	Approx. 13 kg
Operating Temperature Range	0 °C to +40 °C
Operating Humidity Range	35% to 80% RH (no condensation)
Accessories	Turntable, turntable sheet, dust cover, EP record adaptor, balance weight, auxiliary weight, cartridge spacer, headshell, overhang gauge, screw set for cartridge, phono cable, phono earth lead, AC power supply cord, owner's manual

Panasonic Marketing Europe GmbH. Technics is the brand name of hi-fi audio products owned by Panasonic Corporation. The design and specification of products are constantly changing in the interest of improvement. Whilst every care has been taken in the preparation of this catalogue, some changes may not have been indicated and may have occurred after publication. Please check with your Panasonic dealer for details. Panasonic Marketing Europe GmbH cannot accept any responsibility for any error or omissions. Country of origin: Malaysia (07/2024)

www.technics.com